



# OWNER'S TECHNICAL MANUAL

BR50020C

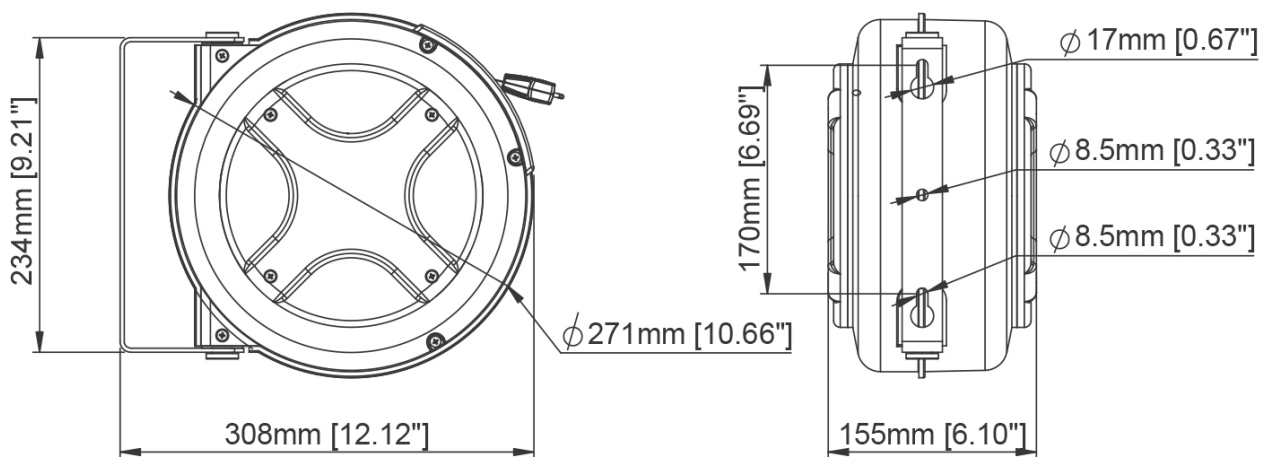
## Caution Safety Barrier Reel

April 2021



### TECHNICAL DETAILS

Part No.	Specifications				Package Size	Gross/Net Weight
	Thickness	Width	Length	Working Temp		
BR50020C	0.5mm	48mm	16m	-20°C – +60°C	280 x 170 x 280mm	2.9kgs / 3.3kgs



This product is mainly used for isolation of construction section, dangerous section, traffic accident and emergency, and it is the barrier of electric power maintenance, road administration and environmental protection project. It can be used for delineation of accident site or warning standard special area.

NSW/ACT

TEL: (02) 9677 1555  
FAX: (02) 9675 1155

QLD/PNG

TEL: (07) 3204 9166  
FAX: (07) 3204 1224

VIC/TAS

TEL: (03) 8787 8288  
FAX: (03) 8787 8266

WA

TEL: (08) 9302 4199  
FAX: (08) 9303 2095

SA/NT

TEL: (08) 8241 7111  
FAX: (08) 8241 7011

NZ

TEL: (09) 447 1007  
FAX: (09) 447 1008



### Caution Safety Barrier Reel

#### GENERAL SAFETY REGULATIONS



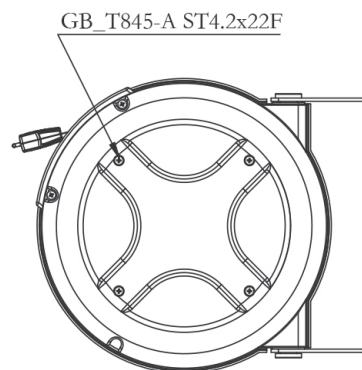
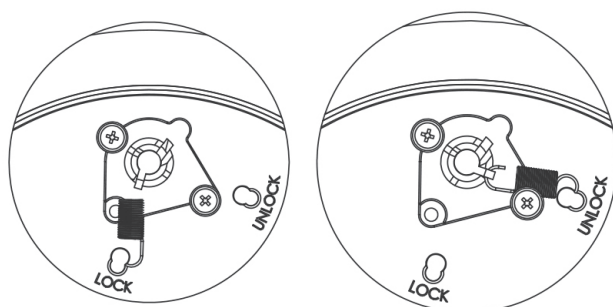
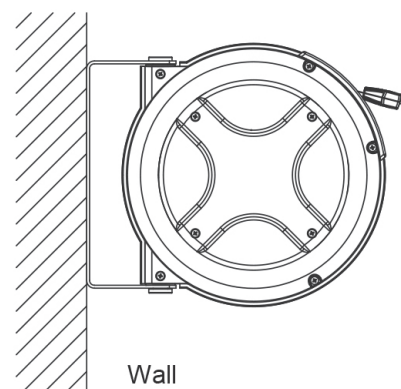
**WARNING:** The warnings, cautions, and instructions discussed in this instruction manual cannot cover all possible conditions or situations that could occur. It must be understood by the operator that common sense and caution are factors that cannot be built into this product, but must be supplied by the operator.

1. Keep the work area clean and dry. Damp or wet work areas can result in injury.
2. Keep children away from work area. Do not allow children to handle this product.
3. Use the right tool for the job. Do not attempt to force small equipment to do the work of larger industrial equipment. There are certain applications for which this equipment was designed. It will do the job better and more safely at the capacity for which it was intended. Do not modify this equipment, and do not use this equipment for a purpose for which it was not intended.
4. Check for damaged parts. Before using this product, carefully check that it will operate properly and perform its intended function. Check for damaged parts and any other conditions that may affect the operation of this product. Replace damaged or worn parts immediately.
5. Do not overreach. Keep proper footing and balance at all times to prevent tripping, falling, back injury, etc.
6. Do not use the equipment when tired or under the influence of drugs, alcohol, or medication. A moment of inattention while operating this equipment may result in serious personal injury.
7. Use proper goggles when assembling and using the warning tape reel.
8. Personal injury and/or equipment damage may result if proper safety precautions are not observed.
9. Make sure the spring force is fully released before maintenance.
10. Don't jerk the warning tape.

#### INSTALLATION

Unpack and inspect reel for damage. Turn by hand to check for smooth operation. Check for completeness.

1. It can be installed on the optional column: The height of the column is 1.2m, the base and the ground need to be connected with appropriate bolts, and ensure that they are firmly tightened
2. You will need to purchase appropriate hardware for mounting your new reel.
3. The reel base has three 8.5mm drilled holes for mounting on a suitable flat surface.
4. Using the three holes in the base, mount the reel in the desired location. Be sure to use appropriate hardware and tighten securely.
5. Double adjustment function, see below the picture. Adjust the latch spring to left position, could lock the warning tape at any desired length. Adjust the latch spring to opposite position, have non-lock function, then warning tape can be freely moved.



NSW/ACT

TEL: (02) 9677 1555  
FAX: (02) 9675 1155

QLD/PNG

TEL: (07) 3204 9166  
FAX: (07) 3204 1224

VIC/TAS

TEL: (03) 8787 8288  
FAX: (03) 8787 8266

WA

TEL: (08) 9302 4199  
FAX: (08) 9303 2095

SA/NT

TEL: (08) 8241 7111  
FAX: (08) 8241 7011

NZ

TEL: (09) 447 1007  
FAX: (09) 447 1008



### Caution Safety Barrier Reel

#### OPERATION

1. Check reel for correct operation by slowly pulling out warning tape. A “clicking” noise will be heard every half revolution of the drum.
2. To latch the reel, pull out the warning tape and allow it to retract after hearing the first, second or third click.
3. To unlatch, slowly pull out the warning tape until the “clicking” noise stops, then let cable retract until the cable stopper rests against the cable guide.
4. If necessary, adjust spring tension on reel by adding or removing wraps of warning tape from spool, one wraps at a time, until desired tension is obtained. Add wraps to increase tension. Remove wraps to decrease tension.
5. Equipped with idle system to ensure safe use

#### Fixation Method

The BR50020C reel contains accessory package (including magnet, eye screw and expansion plug). The fixing method is various and flexible, and it is suitable for most working situation.

1. The fixing pin on the reel can be directly hooked into the slot hole, or the belt can be clamped with the pin after wrapping the object with a warning tape (see Figure 1).
2. The magnet is hung on the fixed pin. Through the magnet, the warning tape can be directly connected with the metal surface (see Figure 2).
3. The eye screw can be fixed on the wood board or trunk, and the fixing pin can be connected with it (see Figure 3).
4. The expansion plug is used together with the eye screw, and the fixing pin is connected to the wall (see Figure 4).

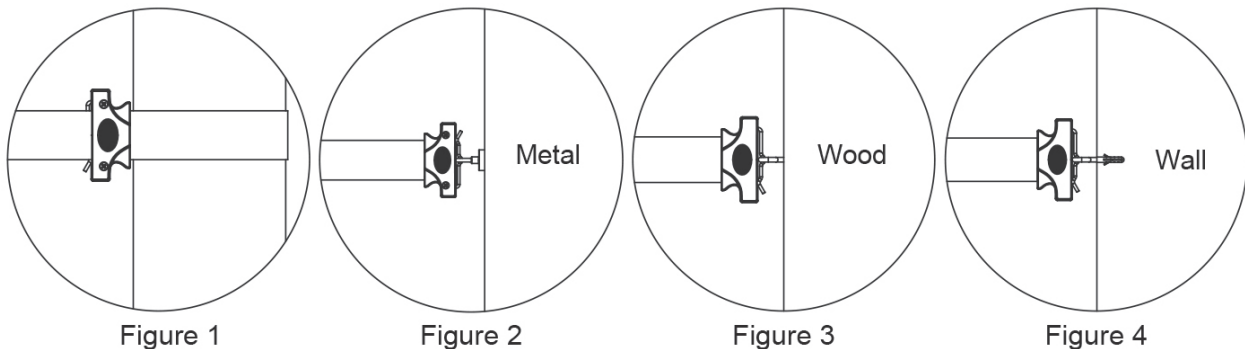


Figure 1

Figure 2

Figure 3

Figure 4

#### MAINTENANCE

Make sure the hose is in proper working order.

1. Clean the hose with a cloth dipped in warm water to remove dirt or deposits and ensure correct rewinding.
2. Do not use detergents or solvents which could prove incompatible with cable-winder materials.
3. Dismantling of the unit by unskilled personal could prove hazardous; the risk involved mainly concern the preloaded springs.

#### LIMITED WARRANTY

1. Alemlube warrants this hose reel against defects in material and craftsmanship, for a period of 12 months from date of purchase.
2. Alemlube's liability is limited to replacement or repair of defective material within the warranty period, when returned freight prepaid to the distributor or their designated service depot.
3. The warranty does not cover damage caused by accident, misuse or faulty installation.
4. The reel must be installed and maintained in compliance with the instructions.

NSW/ACT

TEL: (02) 9677 1555

FAX: (02) 9675 1155

QLD/PNG

TEL: (07) 3204 9166

FAX: (07) 3204 1224

VIC/TAS

TEL: (03) 8787 8288

FAX: (03) 8787 8266

WA

TEL: (08) 9302 4199

FAX: (08) 9303 2095

SA/NT

TEL: (08) 8241 7111

FAX: (08) 8241 7011

NZ

TEL: (09) 447 1007

FAX: (09) 447 1008



# OWNER'S TECHNICAL MANUAL

BR50020C

## Caution Safety Barrier Reel

### WARNING



Your risk from these exposures varies, depending on how often you do this type of work. To reduce your exposure to these chemicals: work in a well ventilated area, and work with approved safety equipment, such as those dust masks that are specially designed to filter out microscopic particles.

### TRANSPORTATION

During the transportation, the products should be protected from direct sunlight and rain. It is forbidden to contact with corrosive substances and mix loading.

### STORAGE

1. Storage temperature range: - 4 of (- 20°C) - 122 of (50°C)
2. Storage period: 6 months.
3. Storage conditions: the warehouse shall be well ventilated, avoid direct sunlight and rain, and prohibit contact with corrosive substances.

NSW/ACT

TEL: (02) 9677 1555  
FAX: (02) 9675 1155

QLD/PNG

TEL: (07) 3204 9166  
FAX: (07) 3204 1224

VIC/TAS

TEL: (03) 8787 8288  
FAX: (03) 8787 8266

WA

TEL: (08) 9302 4199  
FAX: (08) 9303 2095

SA/NT

TEL: (08) 8241 7111  
FAX: (08) 8241 7011

NZ

TEL: (09) 447 1007  
FAX: (09) 447 1008



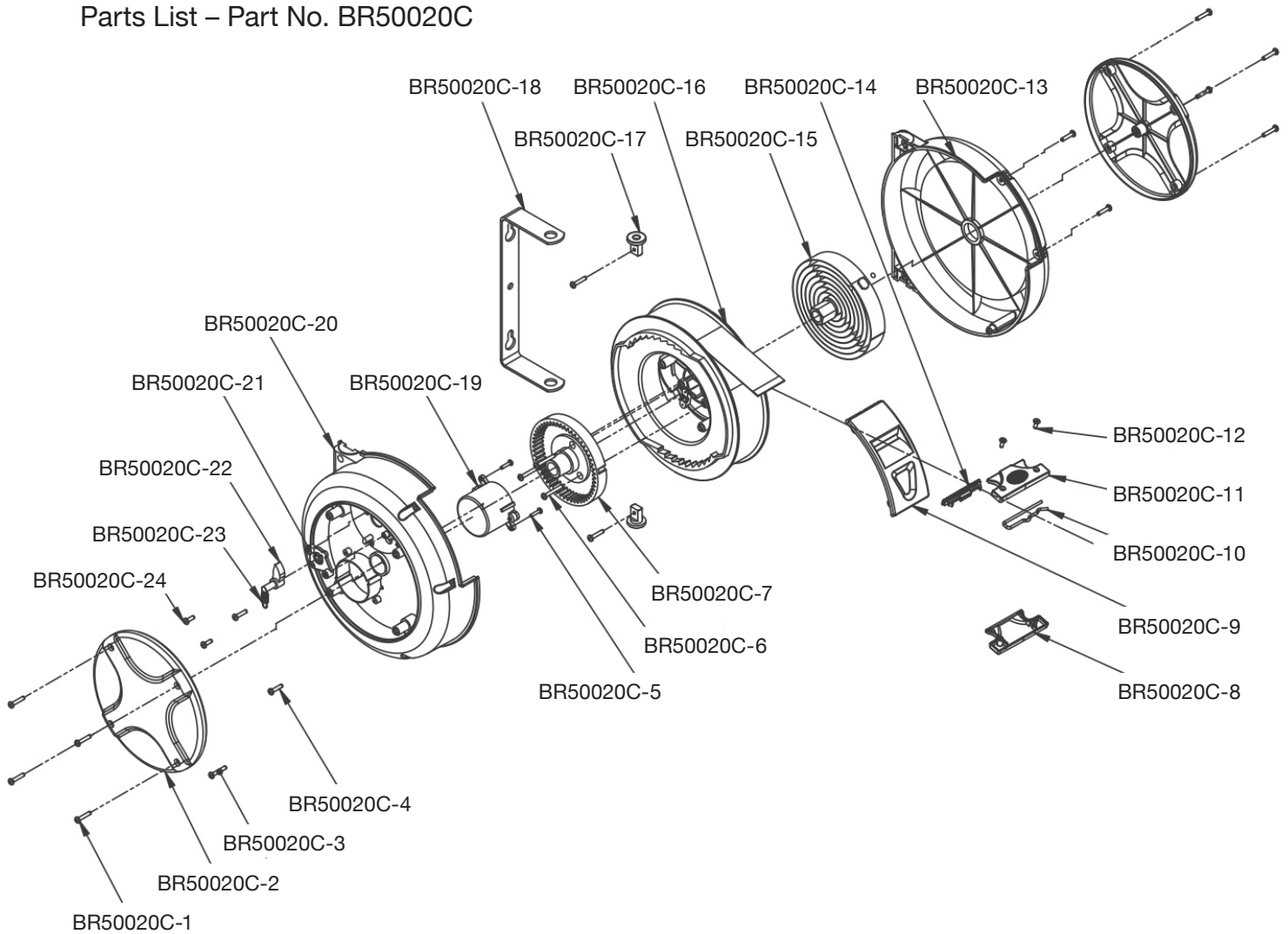
# OWNER'S TECHNICAL MANUAL

BR50020C

## Caution Safety Barrier Reel

### Ordering Spare Parts

Parts List – Part No. BR50020C



Part Number	Description	Qty
BR50020C-1	Tapping Screw	10
BR50020C-2	End Cap	2
BR50020C-3	Tapping Screw	1
BR50020C-4	Tapping Screw	4
BR50020C-5	Tapping Screw	2
BR50020C-6	Tapping Screw	3
BR50020C-7	Fixed-Gear	1
BR50020C-8	Fixed-Handle	1
BR50020C-9	Guide Frame	1
BR50020C-10	Handle Bolt	1
BR50020C-11	Fixed-Handle	1
BR50020C-12	Tapping Screw	2

Part Number	Description	Qty
BR50020C-13	Right Casing	1
BR50020C-14	Buffer Strip	1
BR50020C-15	Spring Assembly	1
BR50020C-16	Plate Assembly	1
BR50020C-17	Pin	2
BR50020C-18	Fixing Plate	1
BR50020C-19	Slow Return Assembly	1
BR50020C-20	Left Casing	1
BR50020C-21	Fixed Mount	1
BR50020C-22	Ratchet	1
BR50020C-23	Ratchet Spring	1
BR50020C-24	Tapping Screw	2

NSW/ACT

TEL: (02) 9677 1555  
FAX: (02) 9675 1155

QLD/PNG

TEL: (07) 3204 9166  
FAX: (07) 3204 1224

VIC/TAS

TEL: (03) 8787 8288  
FAX: (03) 8787 8266

WA

TEL: (08) 9302 4199  
FAX: (08) 9303 2095

SA/NT

TEL: (08) 8241 7111  
FAX: (08) 8241 7011

NZ

TEL: (09) 447 1007  
FAX: (09) 447 1008